

Downlight fitting



[V] 220-240 AC	[Hz] 50/60	[°] 110	[h] ≥20000	[h] 15000	Ra ≥80
SMD			IP 44/20		[°C] 5÷25
	[mm] 0.05	[mm] 0.75	[m] 0.5m		CE EAC



	[W]		[lm]	[°]	[K]
ROUNDA V2LED12W-NW-SN 27218	12	nickel satin	780	110	4000
ROUNDA V2LED18W-NW-SN 27219	18	nickel satin	1250	110	4000
ROUNDA V2LED24W-NW-SN 27220	24	nickel satin	1700	110	4000
ROUNDA V2LED6W-NW-SN 27221	6	nickel satin	300	110	4000
ROUNDA V2LED12W-WW-W 28932	12	white	720	110	3000
ROUNDA V2LED18W-WW-W 28935	18	white	1200	110	3000
ROUNDA V2LED24W-NW-W 28936	24	white	1680	110	4000
ROUNDA V2LED6W-NW-W 28937	6	white	330	110	4000
ROUNDA V2LED6W-WW-W 28938	6	white	300	110	3000



- Enclosure material: aluminum alloy
- Lampshade material: plastic

ROUNDA V2LED

Downlight fitting



ROUNDA V2LED12W-NW-SN



ROUNDA V2LED18W-NW-SN



ROUNDA V2LED24W-NW-SN



ROUNDA V2LED6W-NW-SN



ROUNDA V2LED12W-WW-W



ROUNDA V2LED18W-WW-W



ROUNDA V2LED24W-NW-W



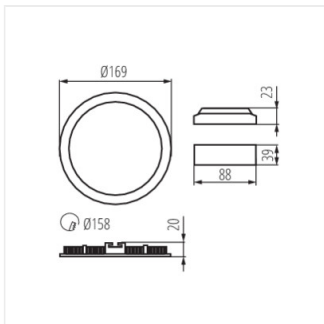
ROUNDA V2LED6W-NW-W

ROUNDA V2LED

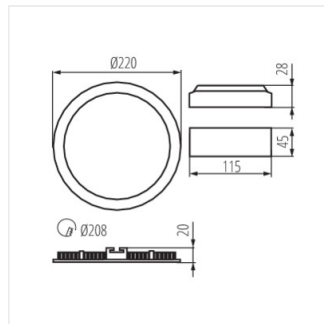
Downlight fitting



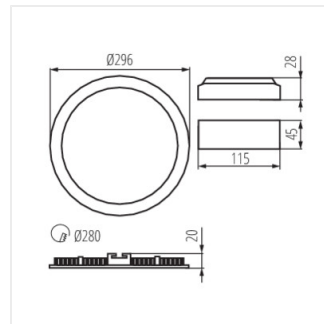
ROUNDA V2LED6W-WW-W



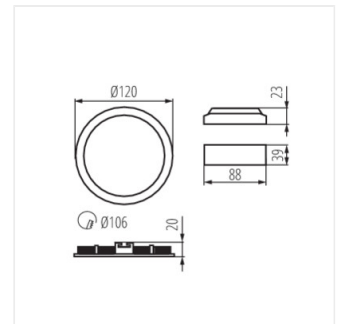
ROUNDA V2LED12W



ROUNDA V2LED18W



ROUNDA V2LED24W



ROUNDA V2LED6W